



Z i L O G

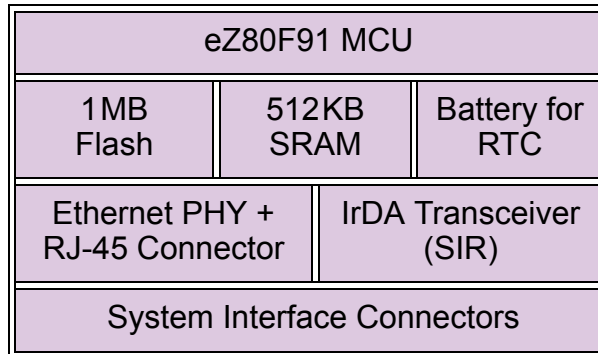
eZ80F915050MOD

eZ80F91 Module

PB010804-0603

Product Brief

Module Block Diagram



General Description

The eZ80F91 Module is a compact, high-performance Flash memory module specially designed for rapid development and deployment of embedded systems requiring control and Internet/Intranet connectivity. The module is ideal for wireless IrDA connectivity, industrial control, communication, security, automation, and embedded networking applications.

This low-cost, high-performance module is powered by ZiLOG's latest power-efficient, optimized pipeline architecture eZ80F91 microcontroller, which feature integrated Flash memory, SRAM,, Ethernet MAC, and a rich set of on-chip peripherals

For rapid development, this module can interface to the eZ80[®] Development Platform, which provides a complete user debug environment feature power and breadboard area, with serial (RS-232 and RS-485) and debug (ZDI and JTAG) interfaces. For deployment, this compact module interfaces to a user system via its system interface connectors. An RJ-45 Ethernet connector is provided on the module.

System designers with aggressive time-to-market requirements can take comfort in the fact that this tested module, together with available ZiLOG TCP/

IP Internet connectivity software and OS, will facilitate quick product launch and low ownership cost.

Features

eZ80F91 Module

- 50MHz eZ80F91 microcontroller
- 1 MB Flash memory
- 512KB high-speed SRAM
- 10/100 Mbps Ethernet PHY and RJ-45 connector with integrated magnetics and LED
- IrDA SIR transceiver (115Kbps) with power-down control
- Two 60-pin system system interface connectors
- ZiLOG's Internet connectivity software supports over-the-network firmware updates or network configuration
- Module size (including connectors):
2.5"L x 3.1"W x 1"H
(63.5mm x 78.7mm x 25mm)
- Standard operating temperature: 0°C to +70°C
- Power supply: 3.3V @ 125mA

Compatibility

- TCP/IP Software
- ZiLOG Evaluation and Development Kits



Related Products

Other eZ80Acclaim! Development Modules include:

eZ80F92 Flash Module	20MHz eZ80F92 MCU, 512KB SRAM, 2 UARTs, SPI, I ² C, 6 PRT, WDT, GPIO, JTAG, Real-Time Clock, IrDA
eZ80F92 Ethernet Module	20MHz eZ80F92 MCU, 10BaseT, 1MB Flash, 512KB SRAM, 2 UARTs, SPI, I ² C, 6 PRT, WDT, GPIO, JTAG, Real-Time Clock, IrDA

Ordering Information

PSI	Part	Description
eZ80F915050MOD	eZ80F91 Module	50MHz, 1MB Flash, 512KB SRAM, 10/100BaseT
eZ80F910200ZCO	eZ80F91 Development Kit	eZ80Acclaim! eZ80F91 Development Kit

This publication is subject to replacement by a later edition. To determine whether a later edition exists, or to request copies of publications, contact:

ZiLOG Worldwide Headquarters

532 Race Street
San Jose, CA 95126
Telephone: 408.558.8500
Fax: 408.558.8300
www.ZiLOG.com

Document Disclaimer

ZiLOG is a registered trademark of ZiLOG Inc. in the United States and in other countries. All other products and/or service names mentioned herein may be trademarks of the companies with which they are associated.

©2003 by ZiLOG, Inc. All rights reserved. Information in this publication concerning the devices, applications, or technology described is intended to suggest possible uses and may be superseded. ZiLOG, INC. DOES NOT ASSUME LIABILITY FOR OR PROVIDE A REPRESENTATION OF ACCURACY OF THE INFORMATION, DEVICES, OR TECHNOLOGY DESCRIBED IN THIS DOCUMENT. ZiLOG ALSO DOES NOT ASSUME LIABILITY FOR INTELLECTUAL PROPERTY INFRINGEMENT RELATED IN ANY MANNER TO USE OF INFORMATION, DEVICES, OR TECHNOLOGY DESCRIBED HEREIN OR OTHERWISE. Devices sold by ZiLOG, Inc. are covered by warranty and limitation of liability provisions appearing in the ZiLOG, Inc. Terms and Conditions of Sale. ZiLOG, Inc. makes no warranty of merchantability or fitness for any purpose Except with the express written approval of ZiLOG, use of information, devices, or technology as critical components of life support systems is not authorized. No licenses are conveyed, implicitly or otherwise, by this document under any intellectual property rights.