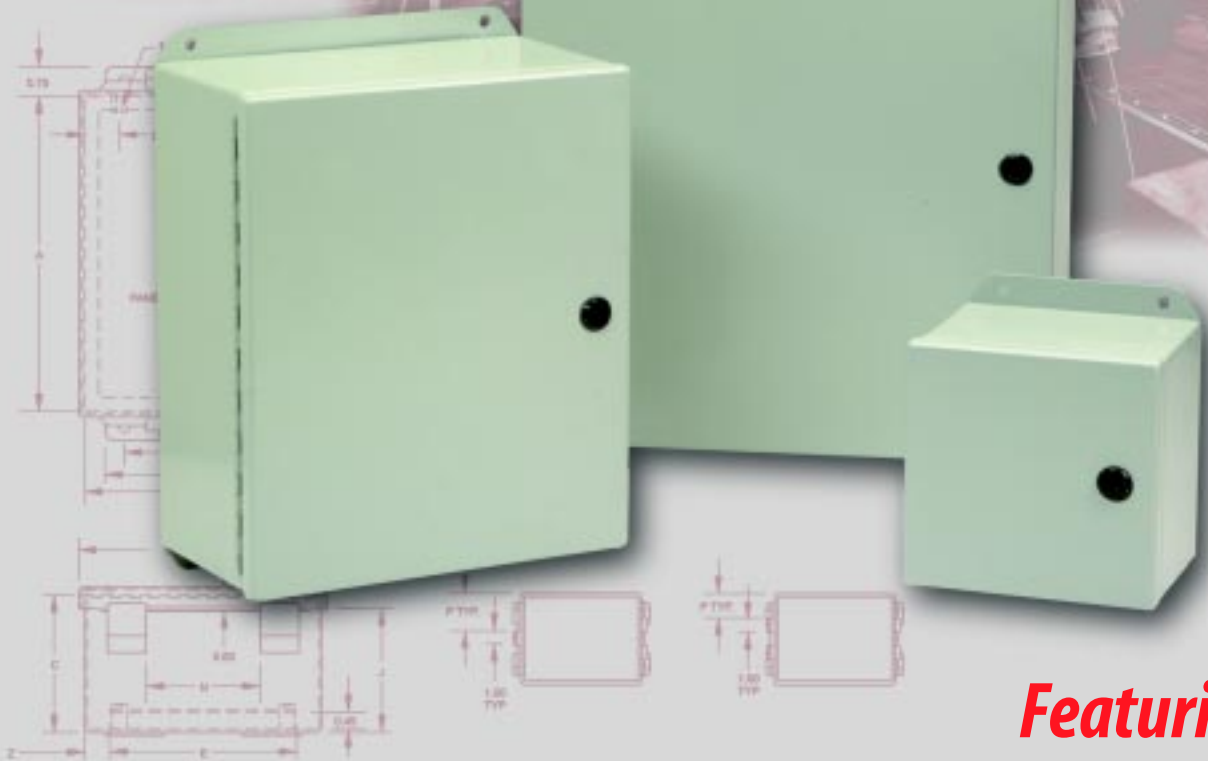




**HAMMOND
MANUFACTURING™**



ENCLOSURES



Eclipse Junior

***Modern Style Junction Boxes
EJ-01***

Featuring:

Integral Mounting Feet

FTC Lip

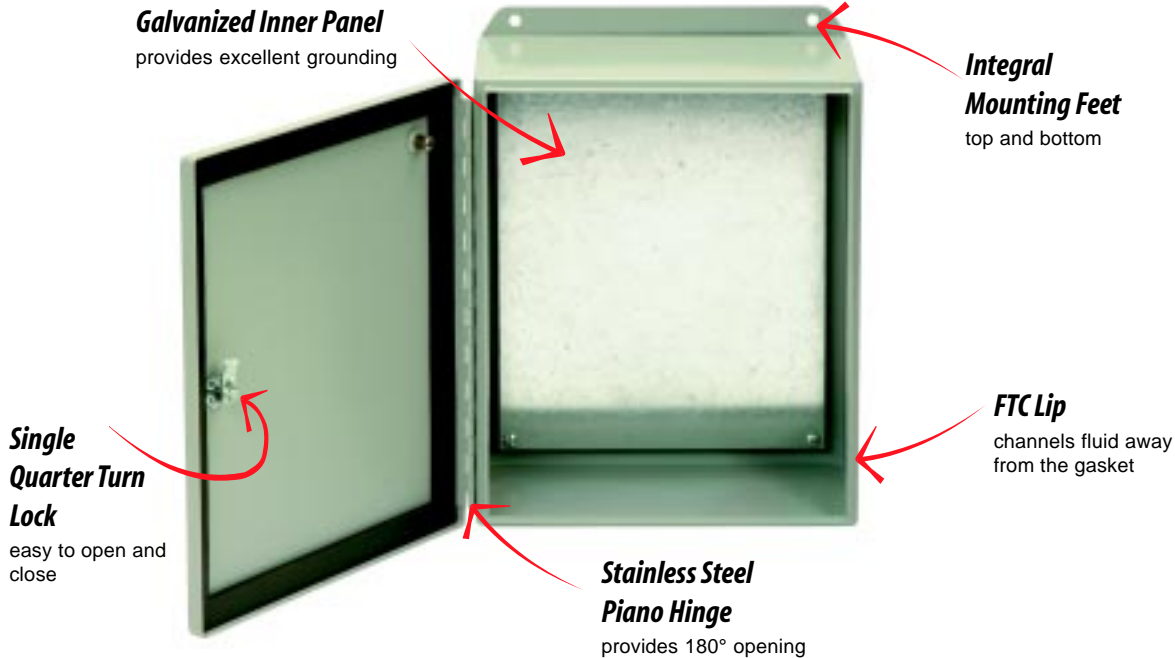
Quarter Turn Lock

Galvanized Inner Panel

180° Door Opening

Eclipse Junior Series - NEMA 12, 13, 4 Single Door Enclosures

Industrial Enclosures
Wallmount Enclosures



Application

- Designed to enclose electrical and/or electronic equipment and protect against harsh, industrial environments.
- For use as instrument enclosures, electric, hydraulic or pneumatic control housings, electrical junction boxes or terminal wiring enclosures.
- Impressive styling features make the Eclipse Junior a suitable addition to any high-tech equipment installation.

Standards

- UL 508 Type 3R, 4, 12 and 13
- CSA Type 3R, 4, 12 and 13
- **Complies with**
 - NEMA Type 3R, 4, 12 and 13
 - IEC 529, IP66

Construction

- Body and cover are formed from 16 gauge steel.
- Smooth, continuously welded seams without knockouts, cutouts, or holes.
- Formed lip on enclosure to exclude flowing liquids and contaminants.
- 14 gauge welded brackets provide for enclosure mounting.
- Continuously hinged cover has 304 stainless steel hinges and provides 180° opening
- Door latches feature the added safety of quarter turn slot requiring use of tool for opening.
- Quarter turn latches formed from black zinc diecast.
- Oil resistant gaskets are permanently secured.
- Models larger than 4"x4" include a removable 14 gauge galvanized inner panel.
- Internal threaded weld studs are provided for mounting inner panels.
- A bonding stud is provided on the door and a grounding stud is provided on the enclosure.
- Includes grounding kit and a hardware kit with panel mounting screws.

Finish

- Cover and enclosure are finished in recoatable smooth ANSI/ASA 61 gray powder coating.
- Inner panels are unpainted galvanized steel.

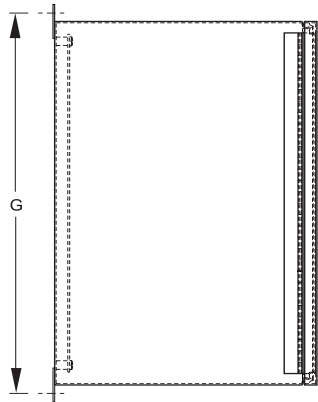
Accessories

- Breather kits...see E-3 page **371**
- Filter fans...see E-3 page **358-365**
- Louvered ventilating plates
...see E-3 page **392**
- Padlocking provision
...see EJ-01 page **4**
- Terminal kit assemblies
...see E-3 page **382**
- Thermostats...see E-3 page **371**
- Window kits...see E-3 page **387**
- Wing knob lock...see EJ-01 page **4**

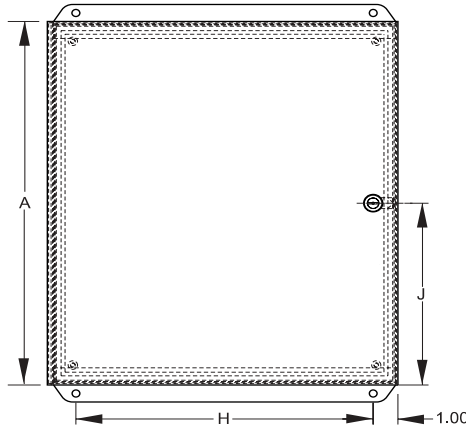
Modifications

- Consult the factory for the following modification possibilities:
 - paint color
 - size change
 - cutouts
 - and more....

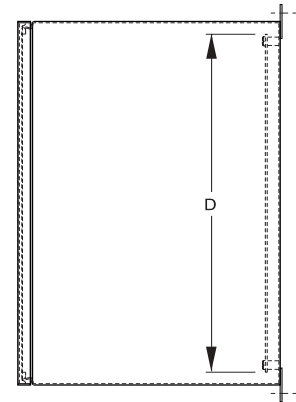
Eclipse Junior Series - NEMA 12, 13, 4 Single Door Enclosures



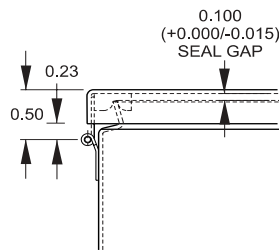
Hinge Side View



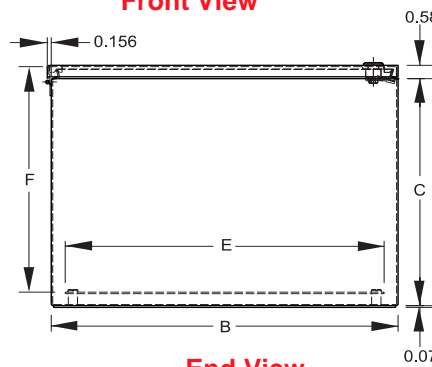
Front View



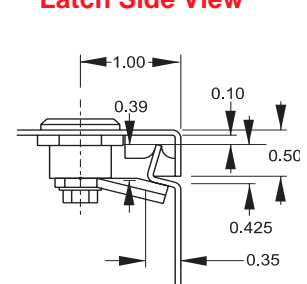
Latch Side View



Hinge Side



End View



Quarter Turn Latch

| Part No. | Overall Dimensions | | | Panel Size | | | | J | F | Ship Wt. lbs. |
|----------|--------------------|-------|-------|------------|-------|-------|-------|------|------|---------------|
| | A | B | C | H | G | D | E | | | |
| EJ443 | 4.00 | 4.00 | 3.00 | 2.00 | 4.75 | — | — | 2.00 | — | 2 |
| EJ643 | 6.00 | 4.00 | 3.00 | 2.00 | 6.75 | 4.88 | 2.88 | 3.00 | 2.92 | 2 |
| EJ683 | 6.00 | 8.00 | 3.50 | 6.00 | 6.75 | 4.88 | 6.75 | 3.00 | 3.42 | 5 |
| EJ863 | 8.00 | 6.00 | 3.50 | 4.00 | 8.75 | 6.75 | 4.88 | 4.00 | 3.42 | 5 |
| EJ444 | 4.00 | 4.00 | 4.00 | 2.00 | 4.75 | — | — | 2.00 | — | 3 |
| EJ644 | 6.00 | 4.00 | 4.00 | 2.00 | 6.75 | 4.88 | 2.88 | 3.00 | 3.92 | 3 |
| EJ664 | 6.00 | 6.00 | 4.00 | 4.00 | 6.75 | 4.88 | 4.88 | 3.00 | 3.92 | 4 |
| EJ884 | 8.00 | 8.00 | 4.00 | 6.00 | 8.75 | 6.75 | 6.88 | 4.00 | 3.92 | 7 |
| EJ8104 | 8.00 | 10.00 | 4.00 | 8.00 | 8.75 | 6.88 | 8.75 | 4.00 | 3.92 | 8 |
| EJ1084 | 10.00 | 8.00 | 4.00 | 6.00 | 10.75 | 8.75 | 6.88 | 5.00 | 3.92 | 8 |
| EJ1264 | 12.00 | 6.00 | 4.00 | 4.00 | 12.75 | 10.75 | 4.88 | 6.00 | 3.92 | 8 |
| EJ10125 | 10.00 | 12.00 | 5.00 | 10.00 | 10.75 | 8.88 | 10.75 | 5.00 | 4.92 | 10 |
| EJ12105 | 12.00 | 10.00 | 5.00 | 8.00 | 12.75 | 10.75 | 8.88 | 6.00 | 4.92 | 12 |
| EJ866 | 8.00 | 6.00 | 6.00 | 4.00 | 8.75 | 6.75 | 4.88 | 4.00 | 5.92 | 7 |
| EJ1086 | 10.00 | 8.00 | 6.00 | 6.00 | 10.75 | 8.75 | 6.88 | 5.00 | 5.92 | 10 |
| EJ10106 | 10.00 | 10.00 | 6.00 | 8.00 | 10.75 | 8.75 | 8.88 | 5.00 | 5.92 | 12 |
| EJ12126 | 12.00 | 12.00 | 6.00 | 10.00 | 12.75 | 10.75 | 10.88 | 6.00 | 5.92 | 15 |
| EJ12146 | 12.00 | 14.00 | 6.00 | 12.00 | 12.75 | 10.88 | 12.75 | 6.00 | 5.92 | 17 |
| EJ1486 | 14.00 | 8.00 | 6.00 | 6.00 | 14.75 | 12.75 | 6.88 | 7.00 | 5.92 | 10 |
| EJ14126 | 14.00 | 12.00 | 6.00 | 10.00 | 14.75 | 12.75 | 10.88 | 7.00 | 5.92 | 17 |
| EJ14166 | 14.00 | 16.00 | 6.00 | 14.00 | 14.75 | 12.88 | 14.75 | 7.00 | 5.92 | 21 |
| EJ16106 | 16.00 | 10.00 | 6.00 | 8.00 | 16.75 | 14.75 | 8.88 | 8.00 | 5.92 | 15 |
| EJ16146 | 16.00 | 14.00 | 6.00 | 12.00 | 16.75 | 14.75 | 12.88 | 8.00 | 5.92 | 21 |
| EJ12108 | 12.00 | 10.00 | 8.00 | 8.00 | 12.75 | 10.75 | 8.88 | 6.00 | 7.92 | 15 |
| EJ12128 | 14.00 | 12.00 | 8.00 | 10.00 | 14.75 | 12.75 | 10.88 | 7.00 | 7.92 | 18 |
| EJ16148 | 16.00 | 14.00 | 8.00 | 12.00 | 16.75 | 14.75 | 12.88 | 8.00 | 7.92 | 22 |
| EJ161410 | 16.00 | 14.00 | 10.00 | 12.00 | 16.75 | 14.75 | 12.88 | 8.00 | 9.92 | 23 |

Technical references and DXF downloads available at www.hammondenclosures.com

All dimensions in inches unless specified otherwise

Quality Enclosures. Service Excellence.

Eclipse Junior Series - NEMA 12, 13, 4

Accessories

Industrial Enclosures
Wallmount Enclosures



Galvanized Inner Panel

- Standard JIC panel sizes.
- 14 gauge unpainted galvanized steel.
- Standard Eclipse Junior enclosures include one panel.

| Part No. | Panel Size | |
|----------|------------|-------|
| | F | G |
| 14G0503 | 4.88 | 2.88 |
| 14G0505 | 4.88 | 4.88 |
| 14G0705 | 6.75 | 4.88 |
| 14G0707 | 6.75 | 6.88 |
| 14G0907 | 8.75 | 6.88 |
| 14G1105 | 10.75 | 4.88 |
| 14G1109 | 10.75 | 8.88 |
| 14G1111 | 10.75 | 10.88 |
| 14G1307 | 12.75 | 6.88 |
| 14G1311 | 12.75 | 10.88 |
| 14G1509 | 14.75 | 8.88 |



Padlock not included

Padlock Adaptor

- Padlock adapter fits directly over the slotted quarter turn preventing access.
- 2mm thick 10 gauge stainless steel.
- Stainless steel mounting hardware provided.
- Once installed, the bolts cannot be removed without the door open.
- Easy installed in the field.
- Padlock not included.
- Maintains UL/CSA Type 4 rating.

| Part No. | EJPA |
|----------|------|
|----------|------|



Wing Knob

- Installs in place of the standard quarter turn lock.
- Internal "O" ring provides dust and water tight construction.
- Maintains UL/CSA Type 4 rating.

| Part No. | EJWKL |
|----------|-------|
|----------|-------|

*Hammond Manufacturing
Company Inc.
256 Sonwil Dr.,
Cheektowaga, NY 14225
Tel: (716) 631-8281
Fax: (716) 565-0375*

*Hammond Manufacturing
Company Limited
394 Edinburgh Road North,
Guelph, ON N1H 1E5
Tel: (519) 822-2960
or (905) 456-3770
Fax: (519) 822-0715*

*Les Fabrications Hammond
(Quebec) Inc.
4240, Seré
St. Laurent, Quebec H4T 1A6
Tel: (514) 343-9010
Fax: (514) 343-9941*

*Hammond Electronics Limited
1 Onslow Close
Kingsland Business Park
Basingstoke, Hampshire RG24 8QL
Tel: 01256 812812
Fax: 01256 332249*

*www.hammondenclosures.com
e-mail: marketing@hammfg.com*

Technical references and DXF downloads available at www.hammondenclosures.com
All dimensions in inches unless specified otherwise